

GRAS 48LA

UTP



Freq range: 20 Hz to 20 kHz (± 1 dB)
16 Hz to 31.5 kHz (± 3 dB)
Dyn range: 64 dB(A) to 184 dB
Sensitivity: 0.12 mV/Pa (± 2 dB)
Use: For aeroacoustic measurements

48LA UTP 1/4" CCP 1

...

□□
48LA (UTP)
1/4
1 Microdot 3

□□□□□□
48LA

-
-
-

□□
48LA RA4810 48LA/48LX-1
7.5°

□□□□
RA4800 RA4800 /
RA4800

□□
RA4801 48LA/48LX-1 1/2
48LA/48LX RA4802 RA4801 RA4802
RA4805

48LA

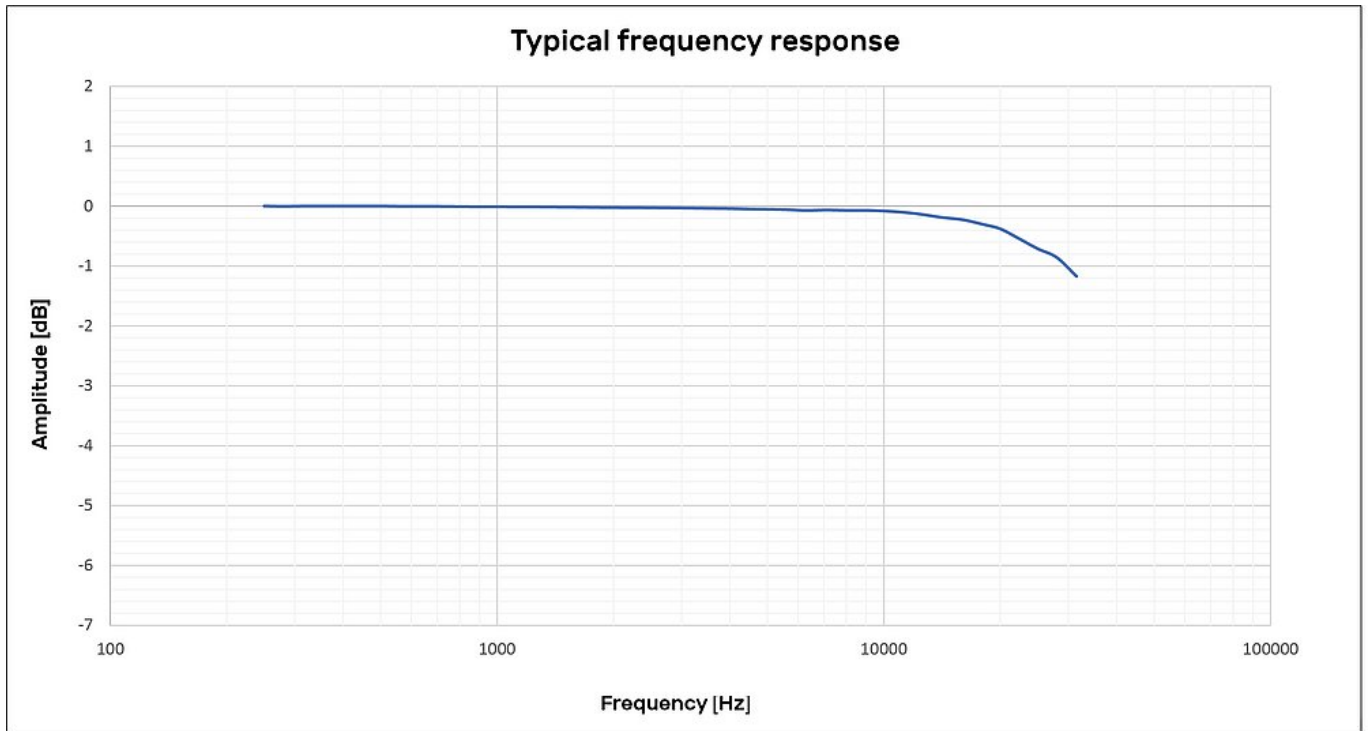
□□□□□
GRAS

48LA

□□

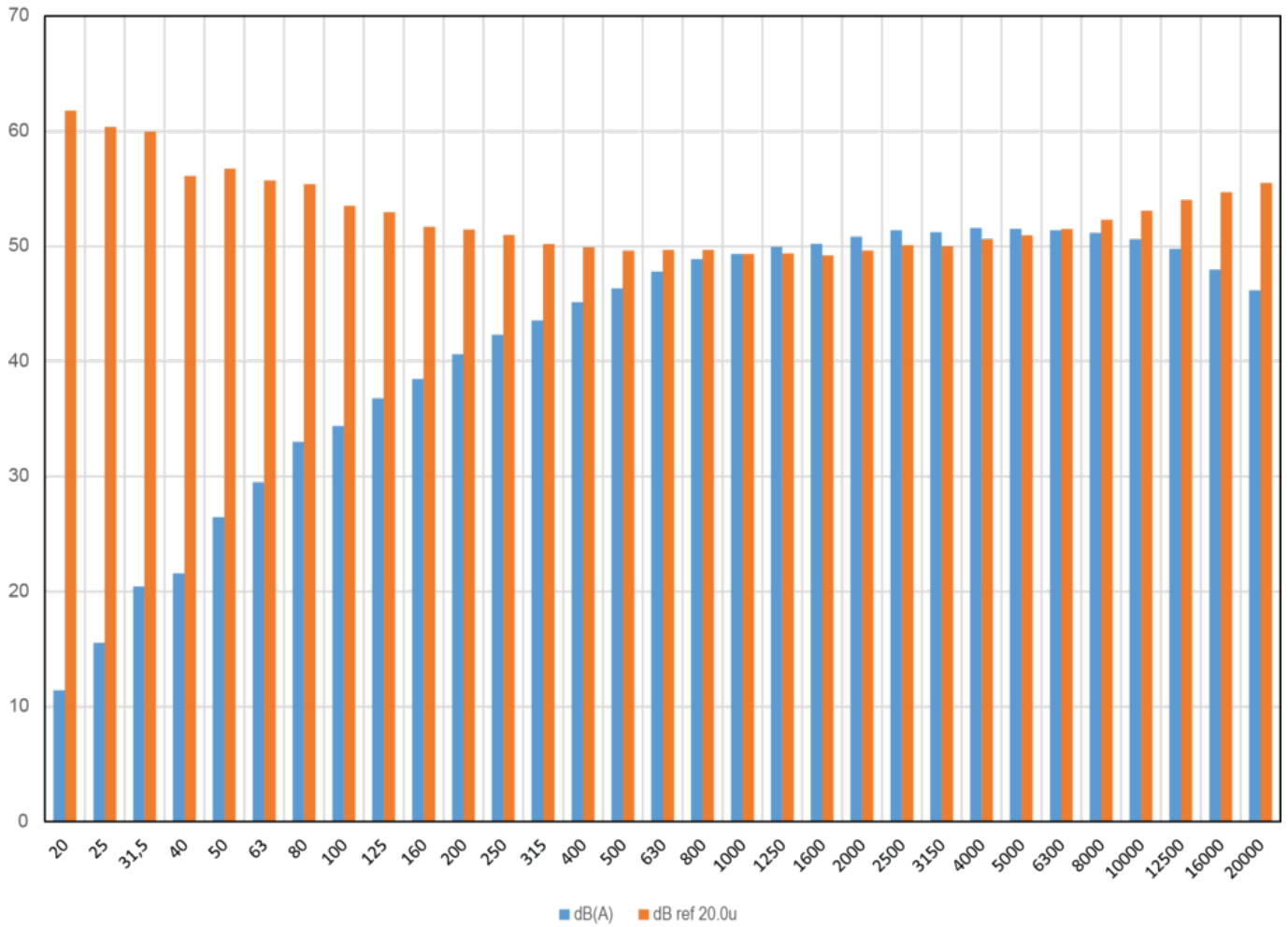
GRAS Sound & Vibration

Frequency range (± 1 dB)	Hz	20 to 20 k
Frequency range (± 3 dB)	Hz	16 to 31.5 k
Dynamic range lower limit (microphone thermal noise)	dB(A)	64
Dynamic range upper limit	dB	184
Sensitivity @ 250 Hz (± 2 dB)	dB re 1V/Pa	-78.4
Sensitivity @ 250 Hz (± 2 dB)	mV/Pa	0.12
Output impedance	Ω	<50
Power supply min. to max.	mA	2 to 10
Microphone venting		Front
Temperature range, operation	$^{\circ}\text{C} / ^{\circ}\text{F}$	-55 to 85 / -67 to 185
Temperature range, storage	$^{\circ}\text{C} / ^{\circ}\text{F}$	-40 to 85 / -40 to 185
Temperature coefficient @250 Hz	dB/ $^{\circ}\text{C}$ / dB/ $^{\circ}\text{F}$	-0.03, Typical
Static pressure coefficient @250 Hz	dB/kPa	-0.0003
Humidity range non condensing	% RH	0 to 80
Humidity coefficient @250 Hz	dB/% RH	-0.01
Influence of axial vibration @1 m/s ²	dB re 20 μPa	73
Connector type		Microdot 10/32
Weight	g / oz	1 / 0.035 (excl. cable) 4 / 0.14 (incl. cable)



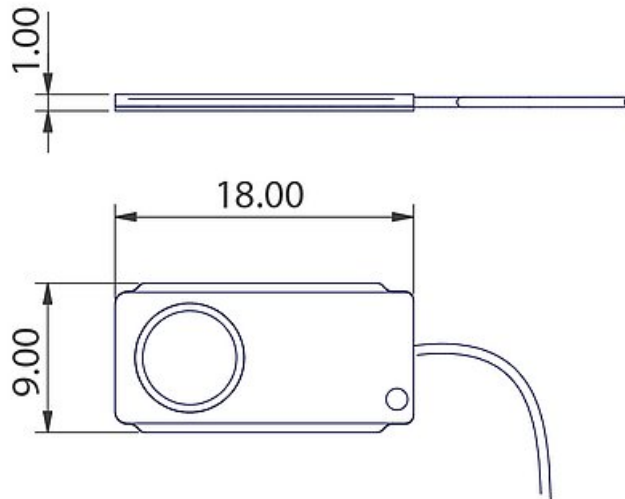
±3 dB 31.5 kHz

Typical noise floor

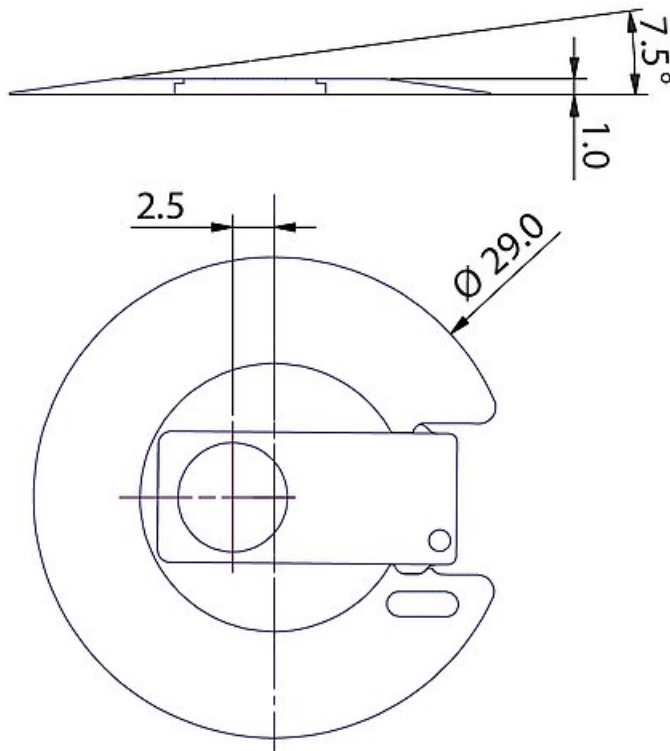


All dimensions in mm

48LA/LX-1



Fairing



Included items

GRAS 48LA	UTP Microphone, High Pressure, with 3-meter cable
GRAS RA4810	Hard Fairing for 48LA/48LX-1, with click mount, double-sided self-adhesive mounting pad included x1
GRAS AE0046	Microdot Female - BNC Male Adapter

Optional items

GRAS RA4800	Adapter for Sensitivity Verification of Flush/Surface Microphones
GRAS RA4801	Adapter for Sensitivity Calibration of 48LA/48LX-1
GRAS RA4802	Actuator for Frequency Calibration of 48LA/48LX-1
GRAS RA4805	Actuator & Pistonphone Adapter Kit for 48LA/48LX-1. This kit includes RA4801 and RA4802.
GRAS RA4810-2	Hard Fairing for 48LA/48LX-1, with click mount, 10-pack, mounting pads are included
GRAS RA4810-10	Hard Fairing for 48LA/48LX-1, with click mount, 50-pack, mounting pads are included
GRAS RA4811	Soft Fairing Mounting Kit for UTP Microphone Sets
GRAS RA4811-2	Soft Fairing Mounting Kit for UTP Microphone Sets, 10 pcs
GRAS DB0521	Overlay Mounting Tape

GRAS Worldwide

Subsidiaries and distributors in more than 40 countries

HEAD OFFICE, DENMARK
GRAS SOUND & VIBRATION
Skovlytoften 33
2840 Holte
Denmark
Tel: +45 4566 4046
www.GRASacoustics.com
gras@grasacoustics.com

USA
GRAS SOUND & VIBRATION
9290 SW Nimbus Avenue
Beaverton, OR 97008
Tel: 503-627-0832
Toll Free: 800-231-7350
www.GRASacoustics.com
sales-usa@grasacoustics.com

UK
GRAS SOUND & VIBRATION
Unit 115, Gibson House,
Ermine Business Park, Huntingdon,
Cambridgeshire, PE29 6XU
Tel: +44 (0) 7762 584 202
www.GRASacoustics.com
sales-uk@grasacoustics.com

CHINA
GRAS SOUND & VIBRATION
Room 315, RuiBo Center(T1)
Lane683, Shenhong Rd,
Minhang District,
Shanghai, China, 201107
Tel: +86 21 64203370
www.GRASacoustics.cn
cnsales@grasacoustics.com



About GRAS Sound & Vibration

GRAS is a worldwide leader in the sound and vibration industry. We develop and manufacture state-of-the-art measurement microphones and related equipment for industries where acoustic measuring accuracy and repeatability are of the utmost importance. This includes applications and solutions for customers within the fields of aerospace, automotive, audiology, consumer electronics and other highly demanding industries. GRAS microphones are designed to live up to the high quality, durability and accuracy that our customers have come to expect, trust and require.

GRAS Sound & Vibration is represented through subsidiaries and distributors in more than 40 countries and is part of Axiometrix Solutions, a leading test solutions provider comprised of globally recognized measurement brands. Read more at www.grasacoustics.com

grasacoustics.com

GRAS
An Axiometrix Solutions Brand