



GRAS 46BL-1

1/4" CCP



Freq range: 4 Hz to 20 kHz
Dyn range: 24 dB(A) to 146 dB
Sensitivity: 20 mV/Pa

46BL-1 1/4" CCP

GRAS 46BL-1 CCP □□□□□□□□□□□□

[GRAS 42AG](#)

GRAS 46BL-1 46BL-1 46BL-1 180°

[GRAS 42AP](#)

□□
GRAS

□□□□□□
46BL-1

GPS
(____), 46BL-1

GRAS GRAS GRAS GRAS

[____\(AES\)](#)

[gras/calib.](#)

AES [TC-AA] 2023
[RA0399](#) GRAS 46BC
46BL-1

□□□□□
GRAS

EAS [RA0399](#)
GRAS

□□
GRAS

- 46BL-1
- CCP 46BL-1

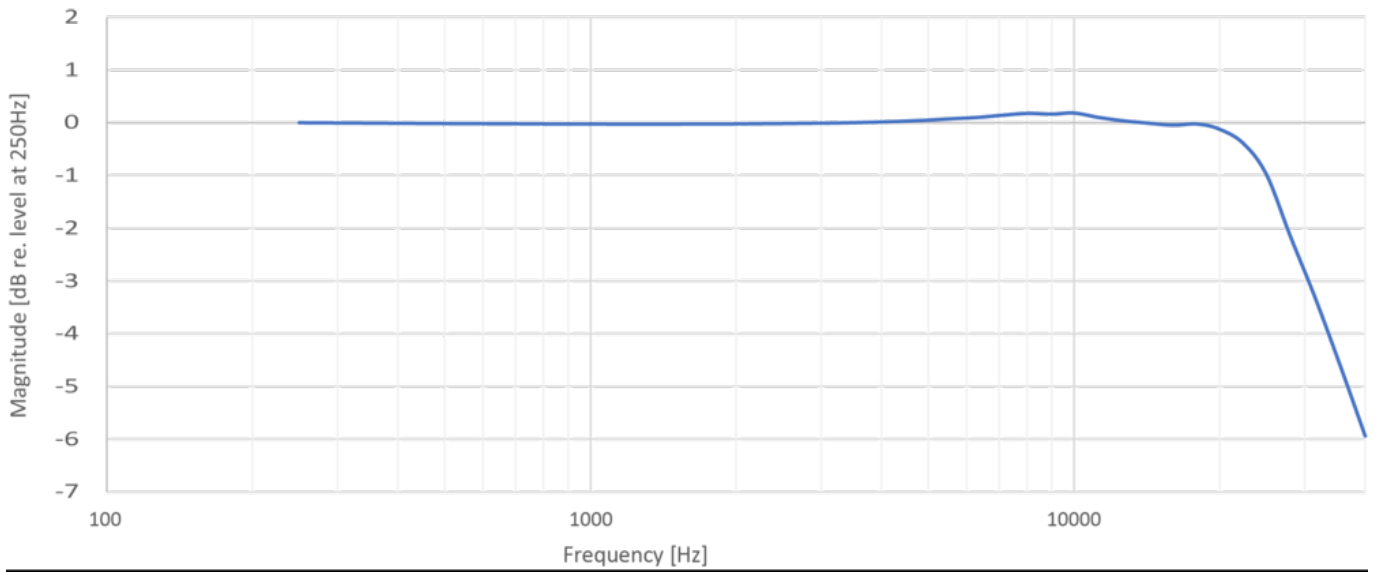
□□□
GRAS 46BL-1 4 mA 24 V CCP

10/32 dot
46BL-1 IEEE 1451.4 TEDS v. 1.0

46BL-1 ¼ RA0236

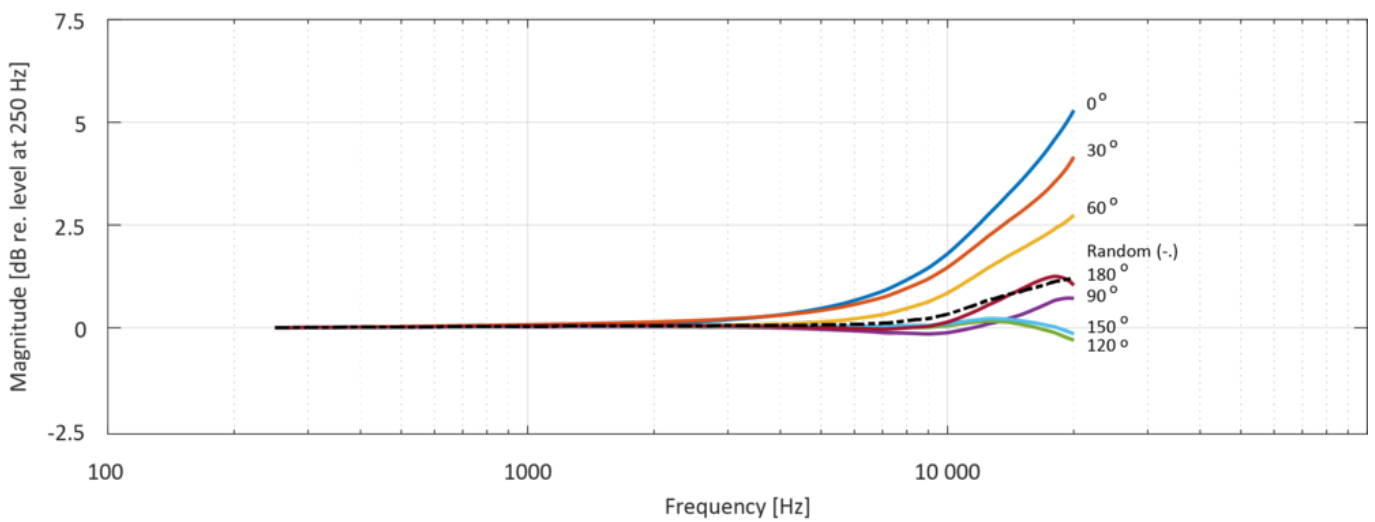
□□□□
TEDS

Polarization/Connection		0 V / CCP
Frequency range (± 1 dB)	Hz	10 to 10 k
Frequency range (± 2 dB)	Hz	4 to 20 k
Dynamic range lower limit with GRAS preamplifier	dB(A)	24
Dynamic range upper limit	dB	146
Set sensitivity @ 250 Hz (± 2 dB)	mV/Pa	20
Set sensitivity @ 250 Hz (± 2 dB)	dB re 1V/Pa	-34
Output impedance		<50
Output Voltage Swing, min. @ 24-28 V CCP voltage supply	Vp	8
Power supply min. to max.	mA	3.5 to 10
DC bias voltage, typ.	V	14
Microphone venting		Rear
IEC 61094-4 Designation		WS3P
Temperature range, operation	$^{\circ}\text{C} / ^{\circ}\text{F}$	-30 to 85 / -22 to 185
Temperature range, storage	$^{\circ}\text{C} / ^{\circ}\text{F}$	-40 to 85 / -40 to 185
Temperature coefficient @250 Hz	dB/ $^{\circ}\text{C}$ / dB/ $^{\circ}\text{F}$	-0.02 / -0.012
Static pressure coefficient @250 Hz	dB/kPa	-0.01 (typical value)
Humidity range non condensing	% RH	0 to 90
Influence of axial vibration @1 m/s ²	dB re 20 μPa	60 (typical value)
TEDS (IEEE 1451.4)		27 v. 1.0
Connector type		Microdot 10/32
CE/RoHS compliant/WEEE registered		Yes/Yes/Yes
Weight	g / oz	8 / 0.282
Influence of humidity	dB	<0.1



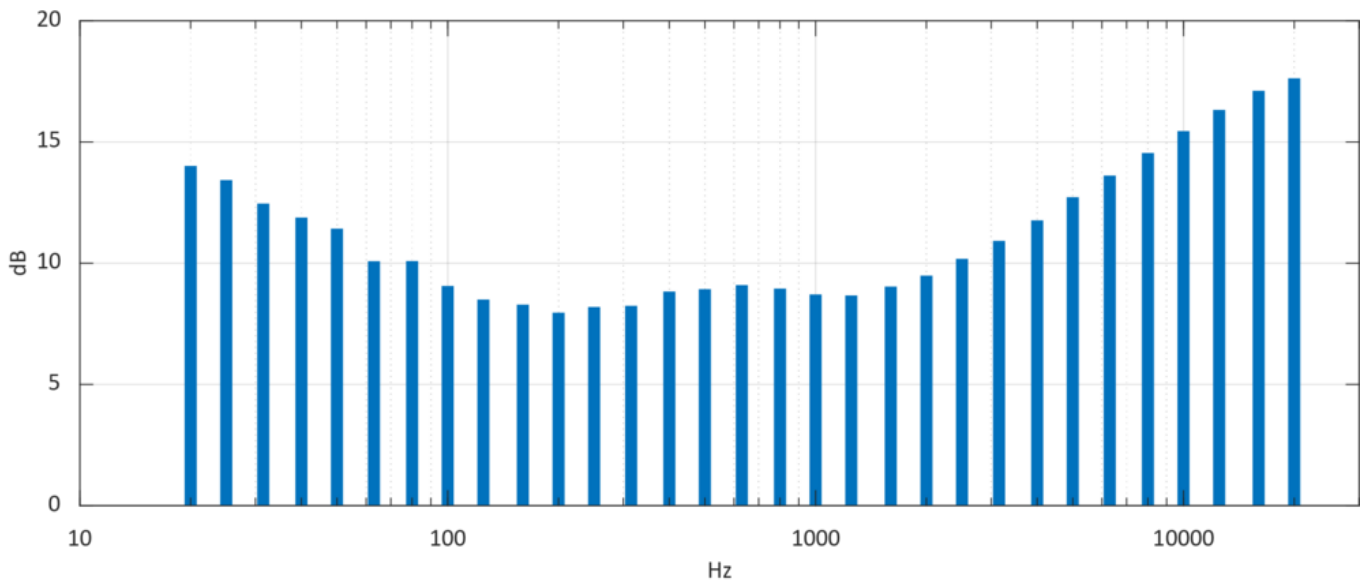
Typical frequency response (without protection grid)

Free-field and random-incidence corrections

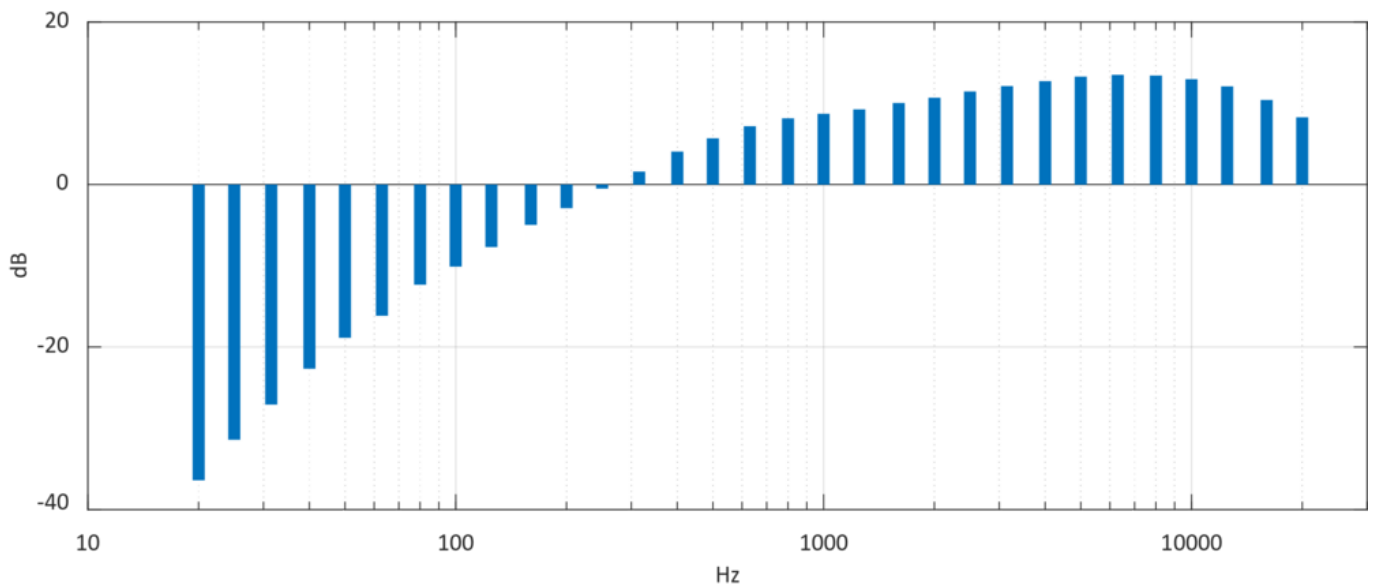


Free-field corrections for different angles of incidence with grid

Typical noise spectrum (Typical Linear level = 26 dB SPL)

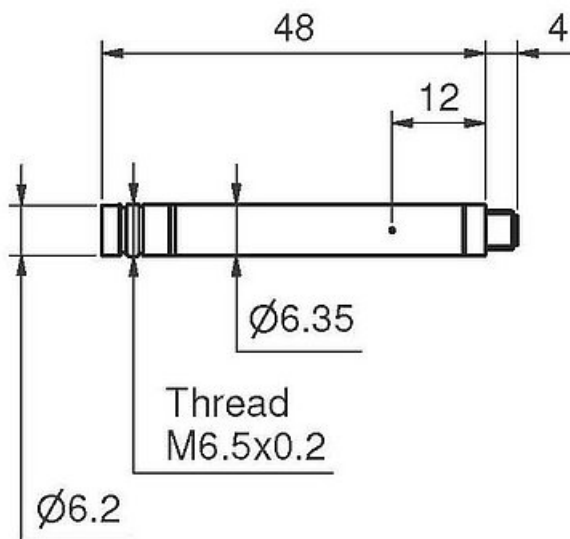
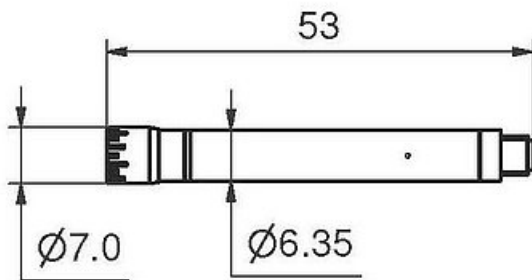


Typical noise spectrum (Typical A-weighted level = 23.5 dBA)



GRAS 46BL-1 self noise

GRAS Sound & Vibration reserves the right to change specifications and accessories without notice.



Optional items

GRAS AA0070	3 m Microdot - BNC Cable
GRAS AA0071	5 m Microdot - BNC Cable
GRAS AA0072	10 m Microdot - BNC Cable
GRAS AL0029	¼ Microphone Holder, POM
GRAS AL0013	¼ Microphone Holder, Stainless Steel
GRAS AL0005	Swivel head
GRAS AL0006	Tripod
GRAS AM0071	Windscreen for 1/4" Microphones
GRAS 12BA, BB, and BE	1-, 4- and 2-channel CCP Power Modules
GRAS 42AG	Multifunction Sound Calibrator, Class 1
GRAS 42AP	Intelligent Pistonphone, Class 0
GRAS RA0236	Adapter for frequency calibration of 46BC and 46BL-1
GRAS CA0029	Traceable Calibration of Microphone Set
GRAS CA2301	Accredited Calibration of Microphone Set

GRAS Sound & Vibration reserves the right to change specifications and accessories without notice.

GRAS Worldwide

Subsidiaries and distributors in more than 40 countries

HEAD OFFICE, DENMARK
GRAS SOUND & VIBRATION
Skovlytoften 33
2840 Holte
Denmark
Tel: +45 4566 4046
www.GRASacoustics.com
gras@grasacoustics.com

USA
GRAS SOUND & VIBRATION
9290 SW Nimbus Avenue
Beaverton, OR 97008
Tel: 503-627-0832
Toll Free: 800-231-7350
www.GRASacoustics.com
sales-usa@grasacoustics.com

UK
GRAS SOUND & VIBRATION
Unit 115, Gibson House,
Ermine Business Park, Huntingdon,
Cambridgeshire, PE29 6XU
Tel: +44 (0) 7762 584 202
www.GRASacoustics.com
sales-uk@grasacoustics.com

CHINA
GRAS SOUND & VIBRATION
Room 315, RuiBo Center(T1)
Lane683, Shenhong Rd,
Minhang District,
Shanghai, China, 201107
Tel: +86 21 64203370
www.GRASacoustics.cn
cnsales@grasacoustics.com



About GRAS Sound & Vibration

GRAS is a worldwide leader in the sound and vibration industry. We develop and manufacture state-of-the-art measurement microphones and related equipment for industries where acoustic measuring accuracy and repeatability are of the utmost importance. This includes applications and solutions for customers within the fields of aerospace, automotive, audiology, consumer electronics and other highly demanding industries. GRAS microphones are designed to live up to the high quality, durability and accuracy that our customers have come to expect, trust and require.

GRAS Sound & Vibration is represented through subsidiaries and distributors in more than 40 countries and is part of Axiometrix Solutions, a leading test solutions provider comprised of globally recognized measurement brands. Read more at www.grasacoustics.com

grasacoustics.com

GRAS
An Axiometrix Solutions Brand